

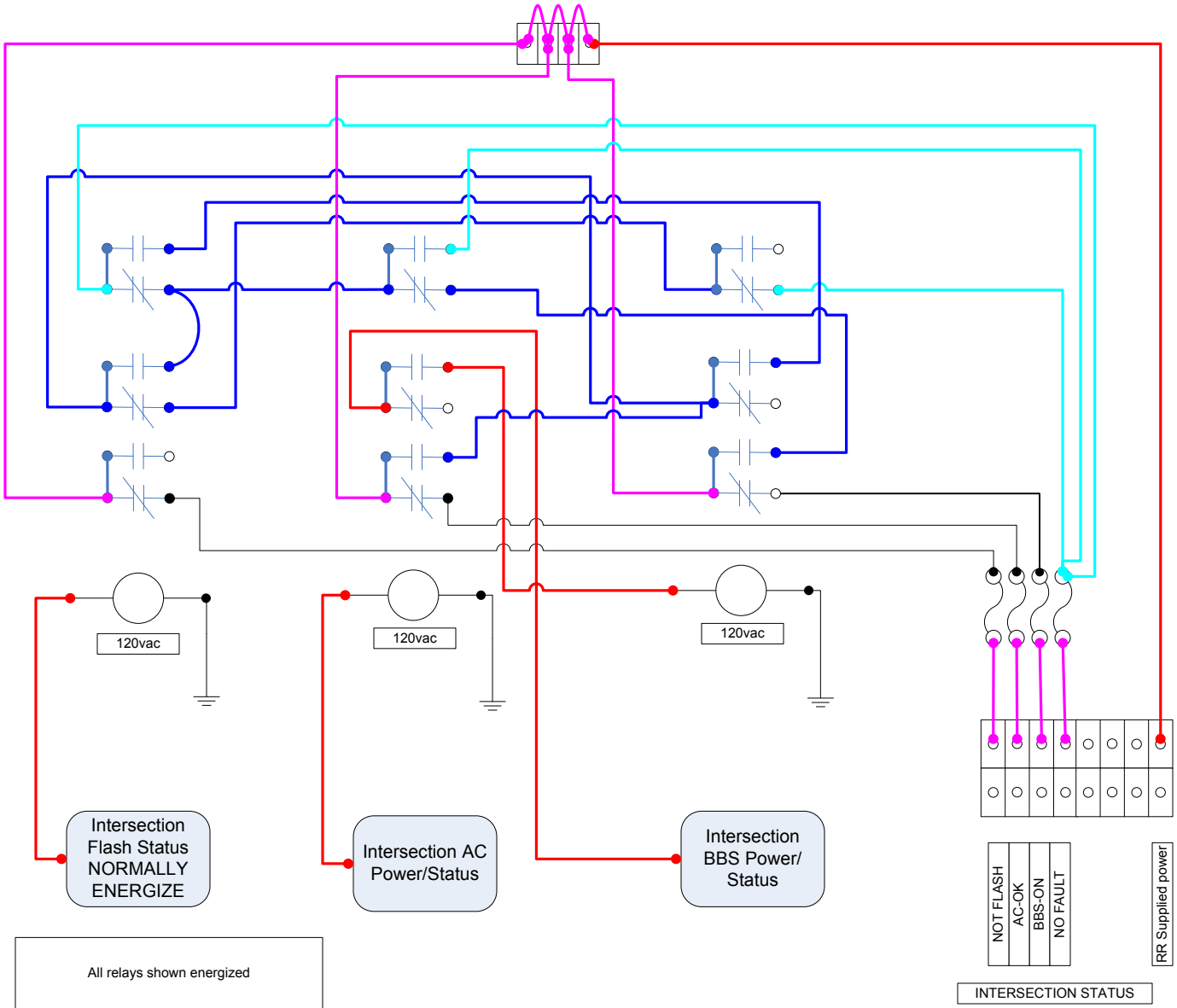
SUPPLEMENTAL SPECIAL PROVISIONS

APPENDIX L

INTERSECTION TO RR

HEALTH STATUS DIAGRAM

Intersection to Railroad
Health Status



All relays shown energized

INTERSECTION STATUS

#	NOT FLASH	POWER-OK	BBS-ON	NO FAULT	STATUS
1	ENERGIZE	ENERGIZE		RETURN-PWR	OK
2		ENERGIZE		RETURN-PWR	FLASH
3	ENERGIZE		ENERGIZE	RETURN-PWR	BBS-ON
4			ENERGIZE	RETURN-PWR	BBS-FLASH
5	ENERGIZE				FAULT
6				RETURN-PWR	NO POWER