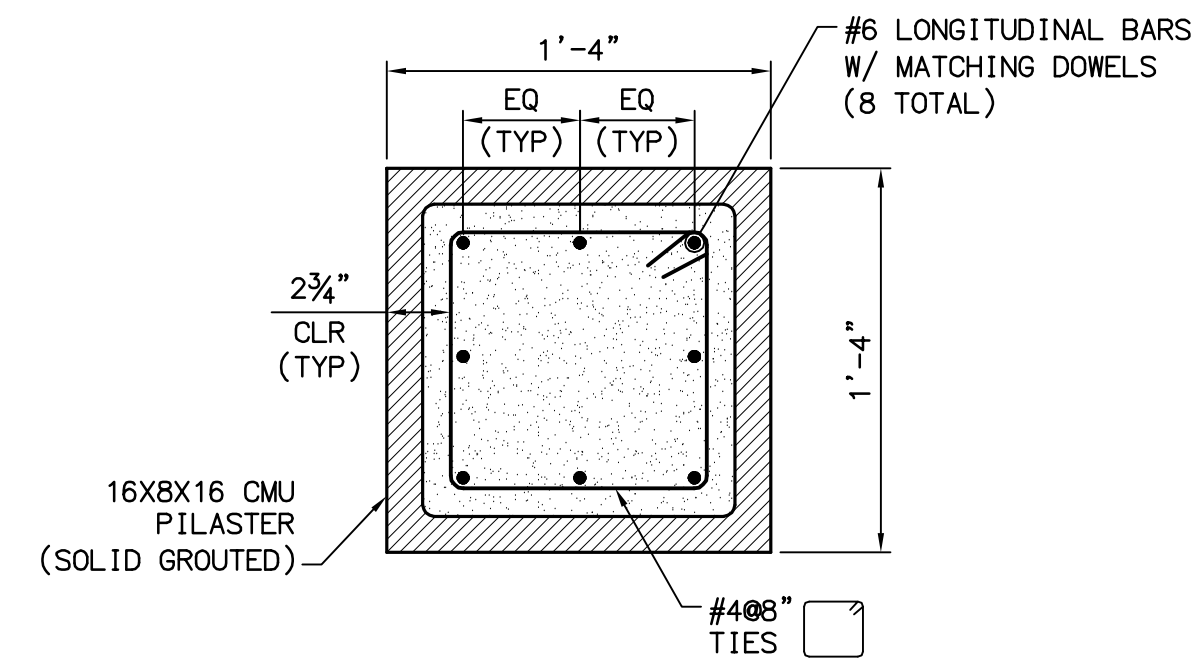
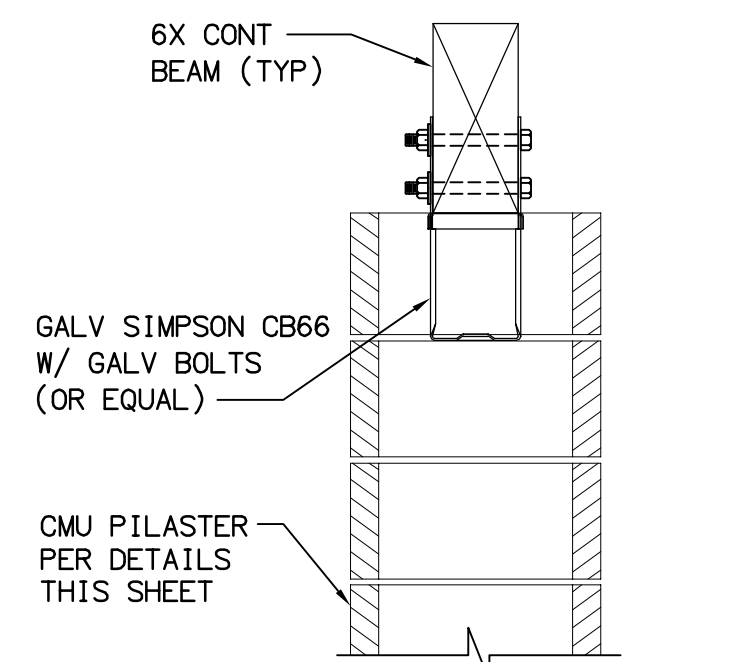


MASONRY PILASTER - TYPICAL SECTION
NO SCALE



SECTION
SCALE: 1 1/2" = 1'-0"



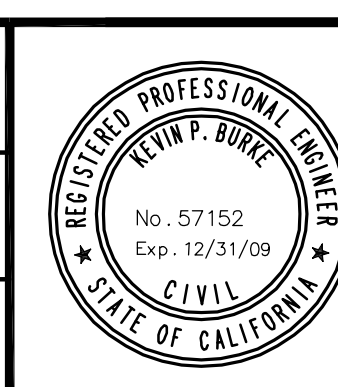
DETAIL
SCALE: 1" = 1'-0"

PLAN CHECKED BY:

APPROVED BY:
AL KING, DIRECTOR OF BEACHES, PARKS, & RECREATION DATE _____
WILLIAM E. CAMERON, CITY ENGINEER DATE _____

REVISIONS				
NO.	DESCRIPTION	REVISED	APPROVED	DATE
1	ADDENDUM 4 - ADD THIS SHEET			

JOB NO.: 55-100467
SCALE: AS SHOWN
DESIGNED BY: RBF



PLANS PREPARED BY: RBF CONSULTING
5050 AVENIDA ENCINAS, SUITE 090
CARLSBAD, CALIFORNIA 92008-4386
760.476.9980 • FAX 760.476.9988 • www.RBF.com
PREPARED UNDER THE SUPERVISION OF:
KEVIN P. BURKE, P.E. DATE: R.C.E. # C57152

CITY OF SAN CLEMENTE
DEPARTMENT OF BEACHES, PARKS, & RECREATION
LA PATA PARK
COVERED PICNIC AREA
CMU PILASTER SECTIONS AND DETAIL

DRAWING NO.: S-10
SHEET NO.: CSC-37
OF