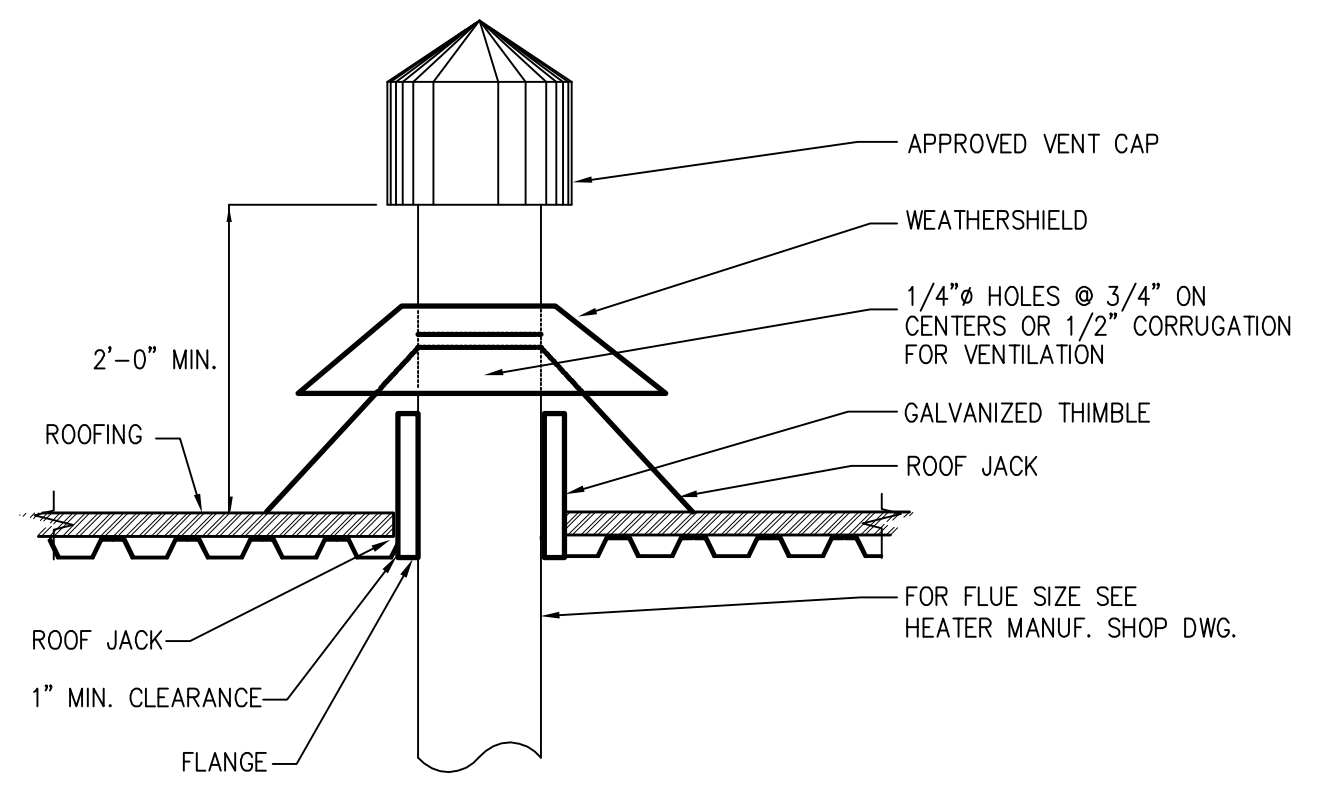


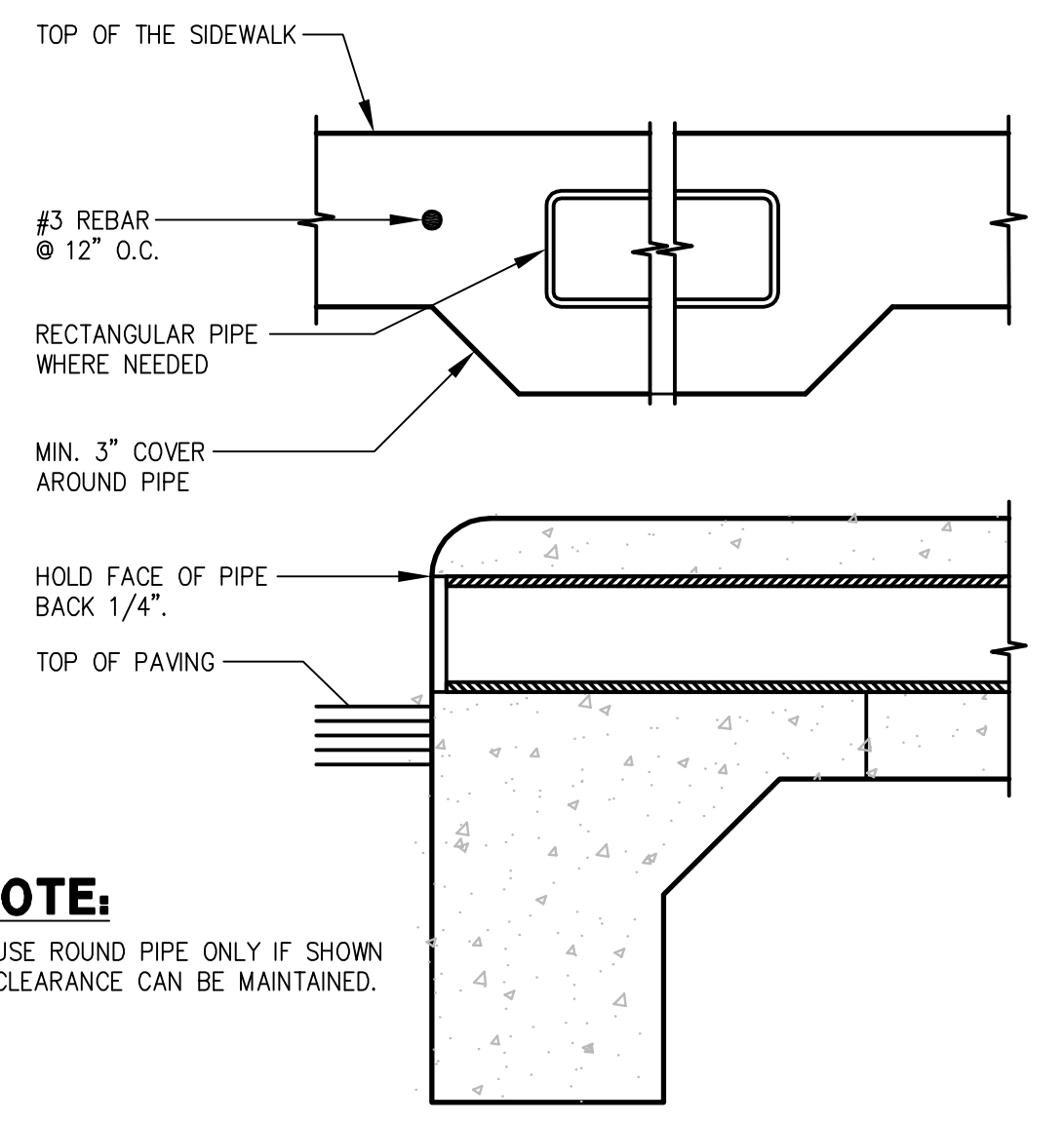
**ABOVE GROUND SEISMIC GAS SHUT-OFF VALVE**

SCALE  
NOT TO SCALE



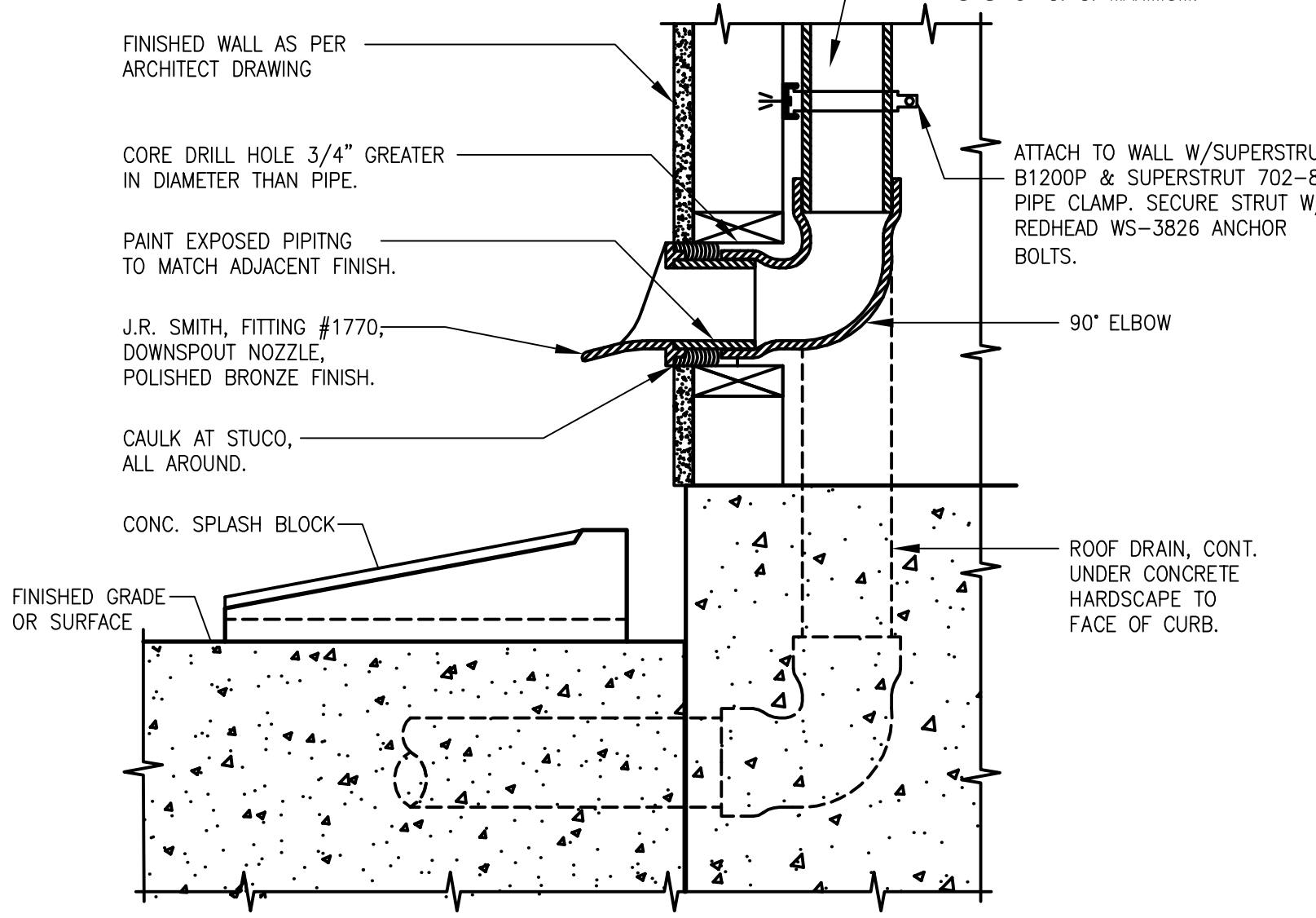
**FLUE OP THRU ROOF**

SCALE  
NOT TO SCALE



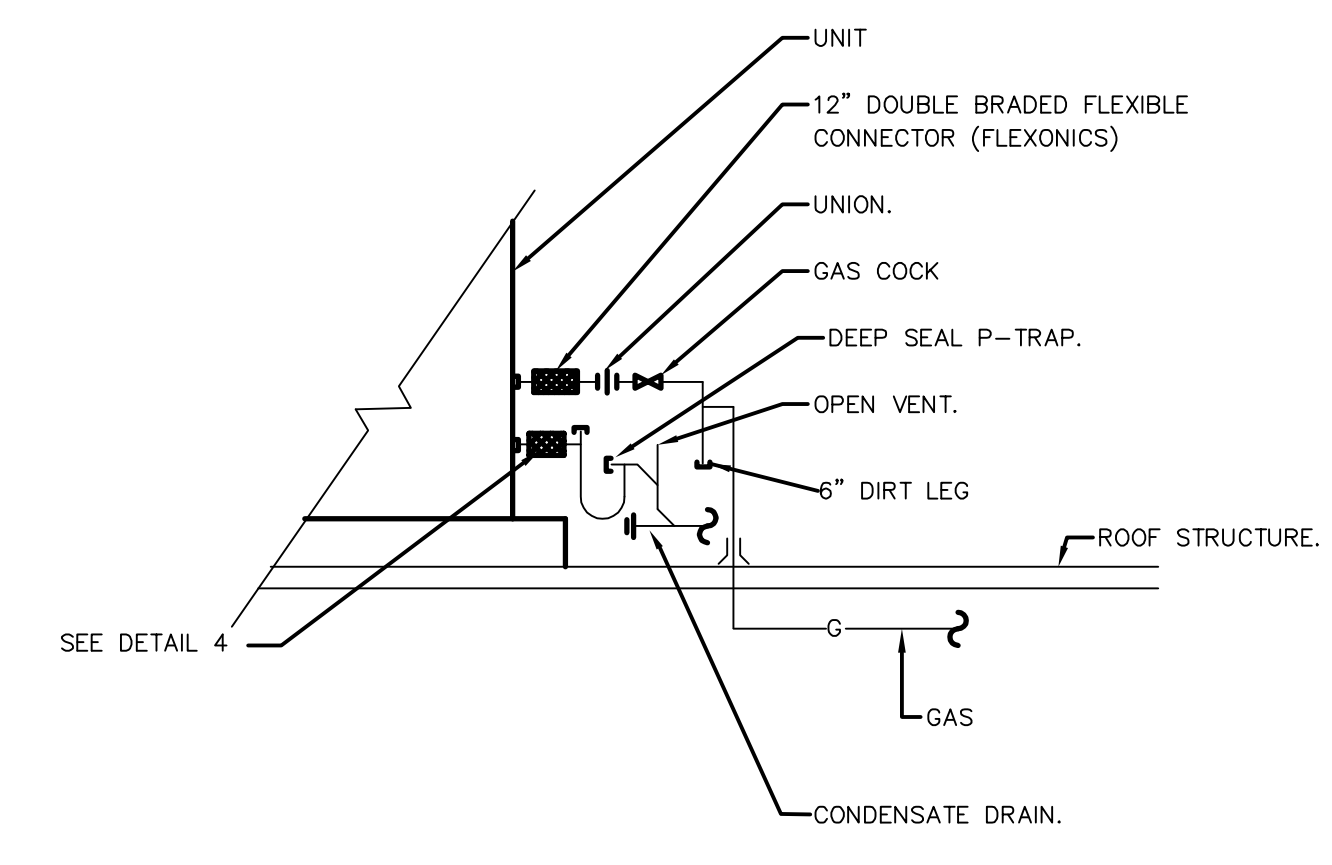
**NOTE:**  
USE ROUND PIPE ONLY IF SHOWN CLEARANCE CAN BE MAINTAINED.

**DRAIN AT CURB DETAIL**



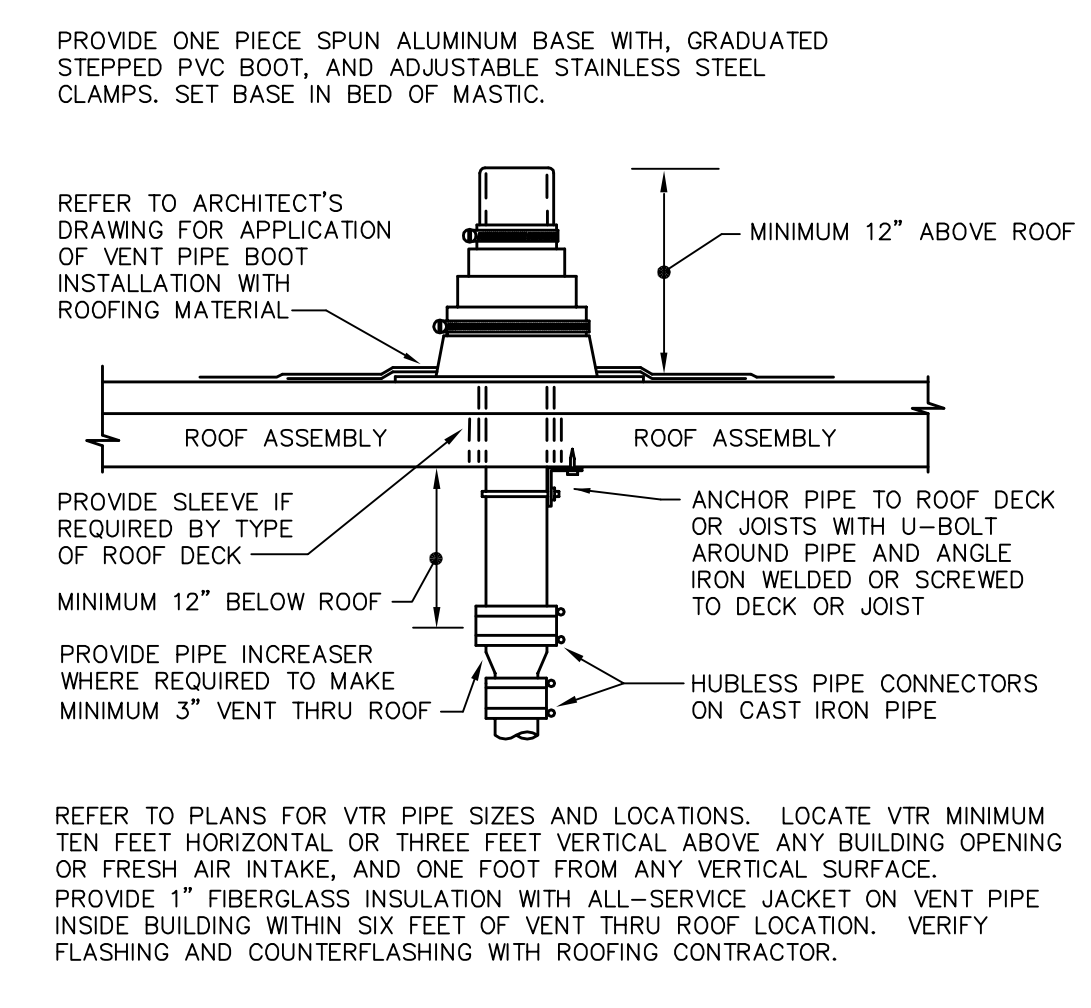
**ROOF DRAIN AT CURB DETAIL**

SCALE  
NOT TO SCALE



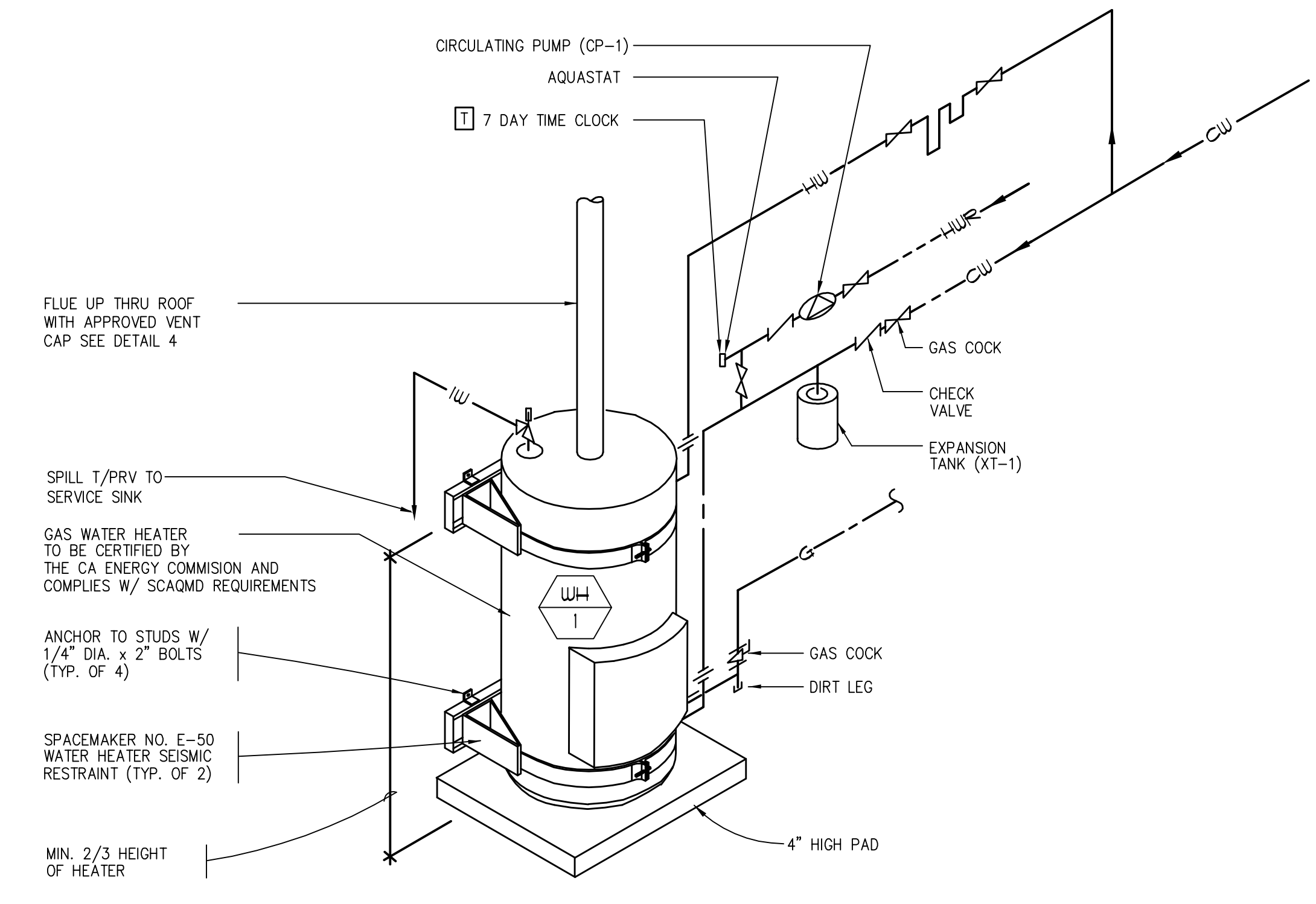
**AC GAS & CONDENSATE CONNECTION**

SCALE  
NOT TO SCALE



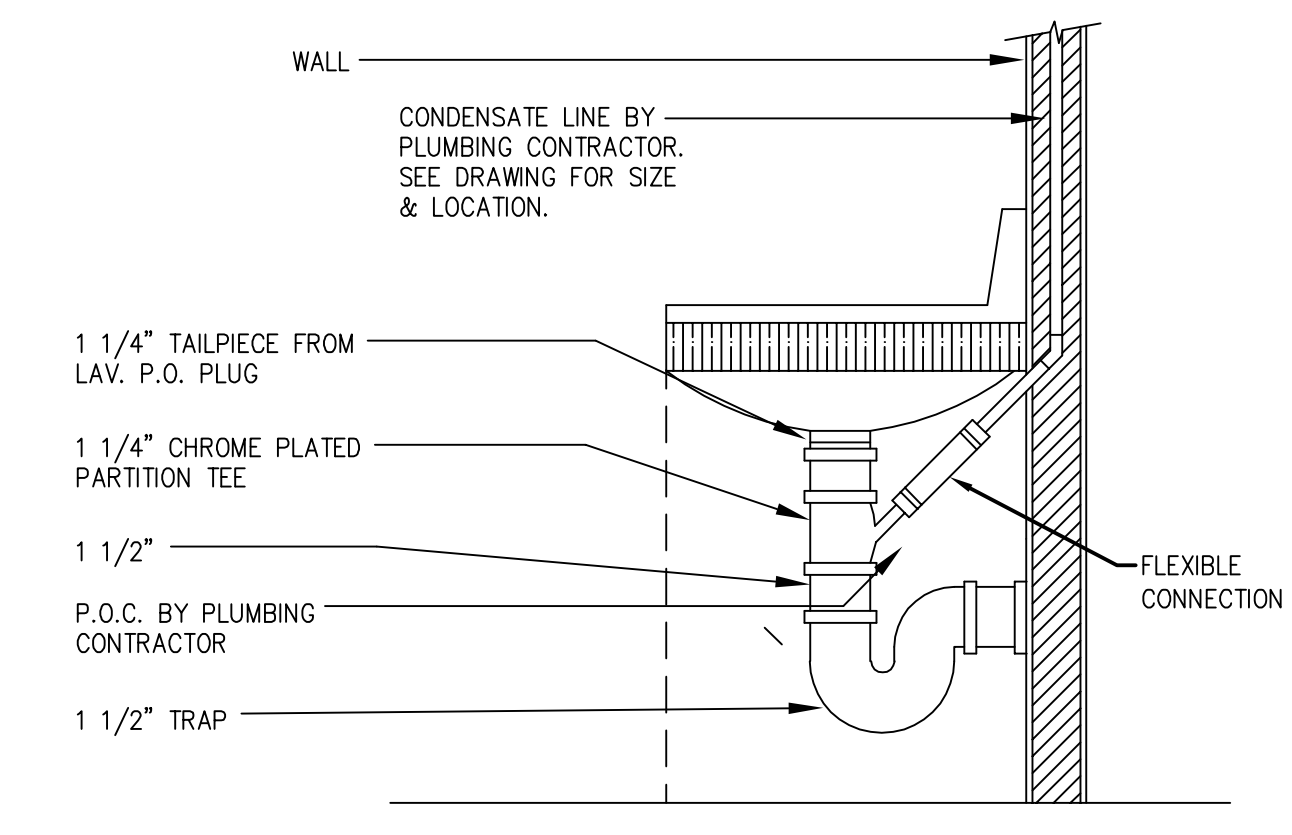
**VENT THRU ROOF**

SCALE  
NOT TO SCALE



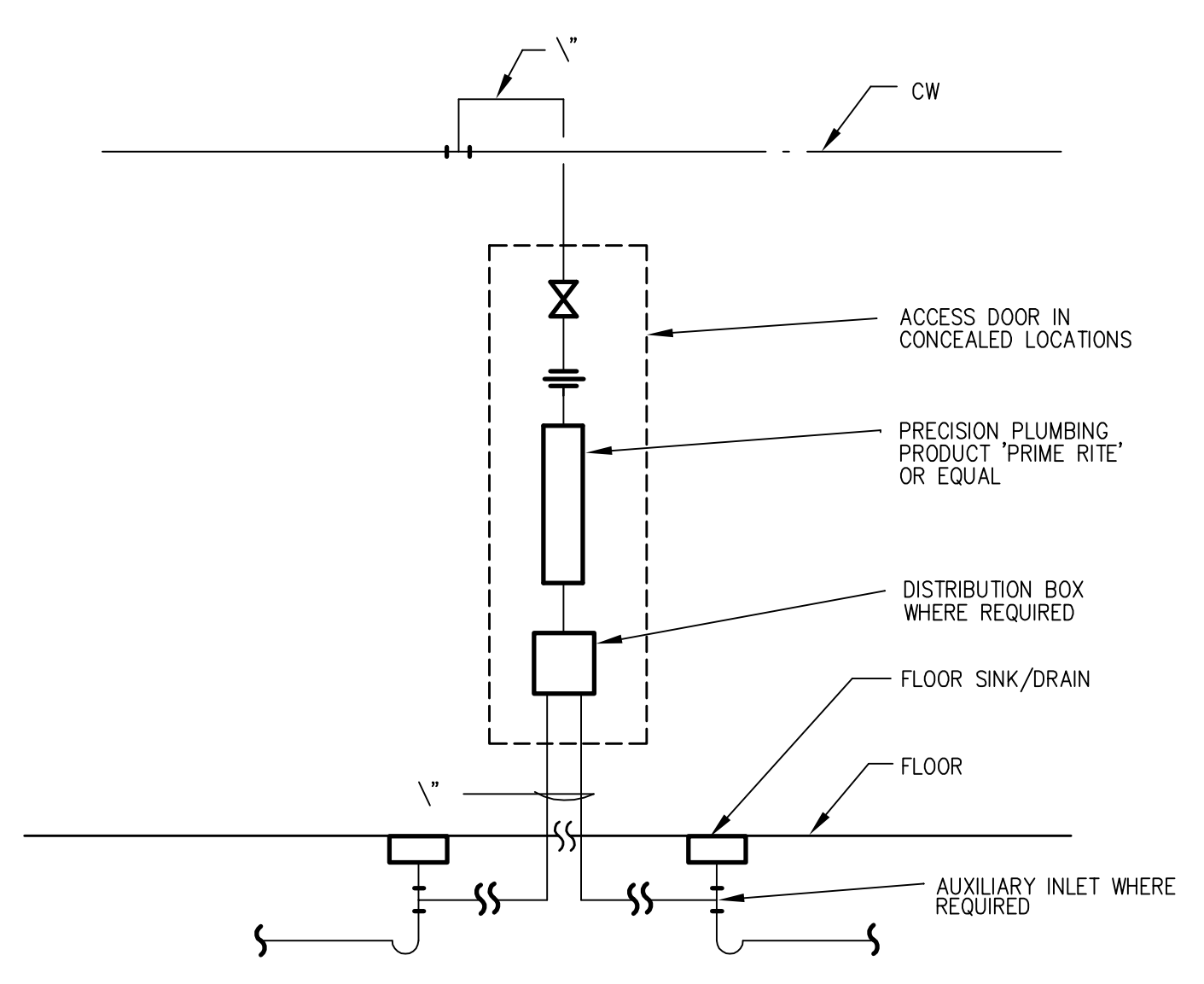
**GAS WATER HEATER PIPING DETAIL**

SCALE  
NOT TO SCALE



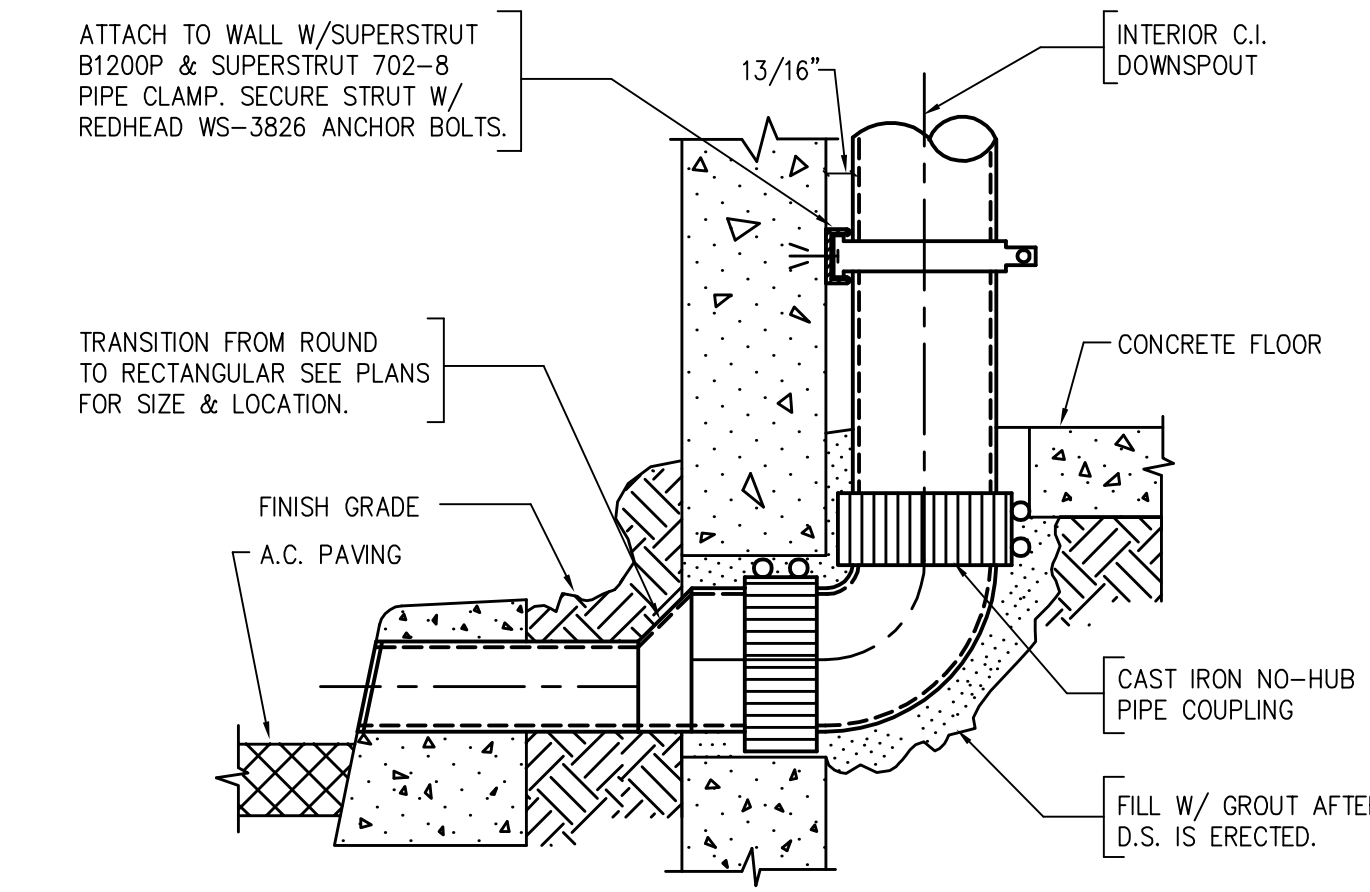
**CD TO LAVATORY TAILPIECE**

SCALE  
NOT TO SCALE



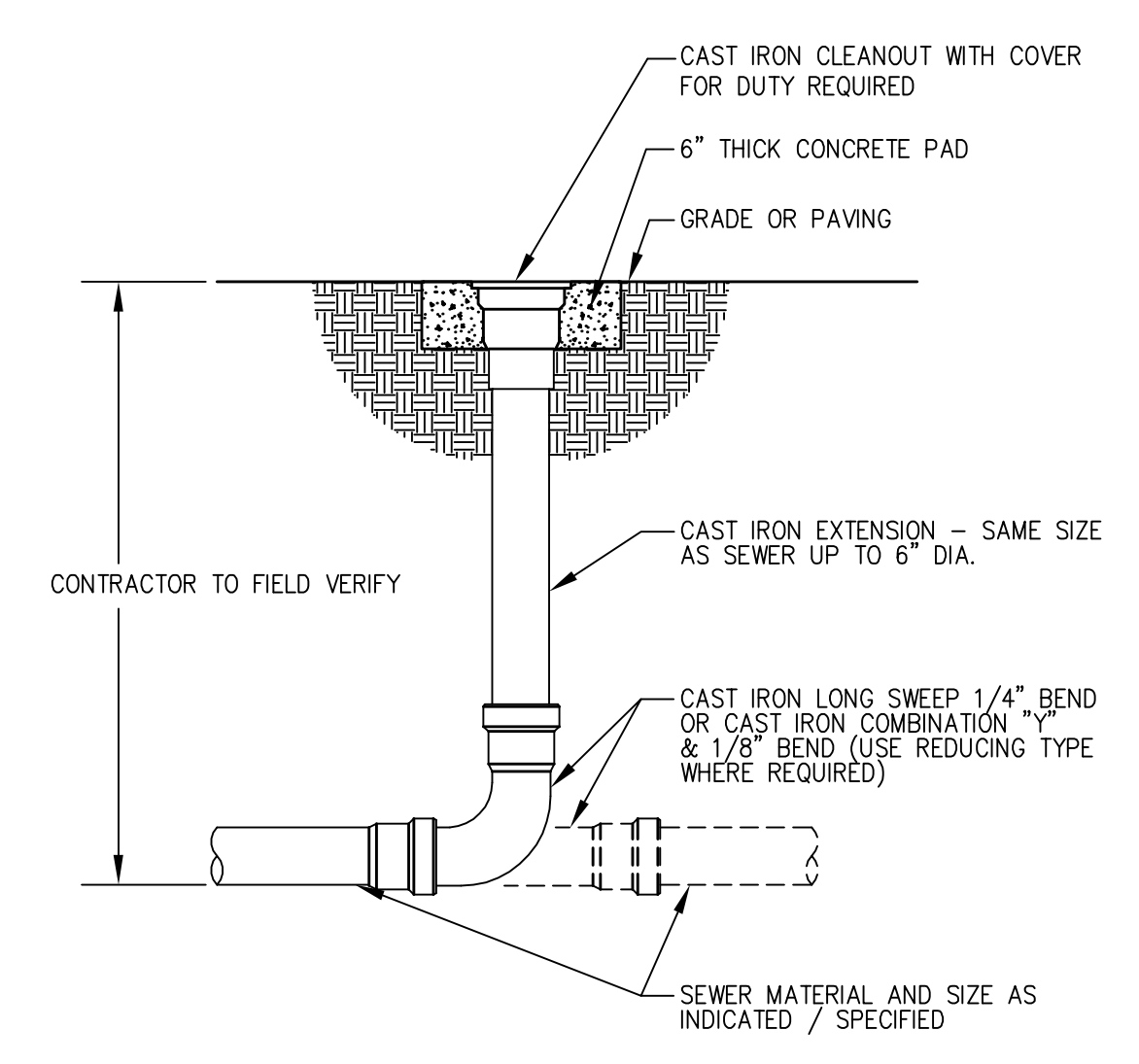
**TRAP PRIMER**

SCALE  
NOT TO SCALE



**RECTANGULAR PIPE THRU CURB DETAIL**

SCALE  
NOT TO SCALE



**CLEANOUT TO GRADE**

SCALE  
NOT TO SCALE

**CITY OF SAN CLEMENTE**  
Department of Beaches, Parks & Recreation  
AVENIDA VISTA HERMOSA / AVENIDA LA PATA PARK (PHASE-1B)  
PLUMBING  
DETAILS

APPROVED BY: M. King, Director of Beaches, Parks & Recreation  
DATE: 7-2-09  
B. Common, CITY ENGINEER  
DATE: 7-2-09

BENCH MARK: ELEV. = 248.97' DATUM = NGVD 2011/88 CGS ADJUSTED  
DESCRIBED BY ORANGE COUNTY SURVEY 988 AT THE SOUTHWESTLY CORNER OF THE INTERSECTION OF AVENIDA VISTA HERMOSA AND AVENIDA LA PATA PARK, CITY OF SAN CLEMENTE, CALIFORNIA. SET IN THE NORTHWEST CORNER OF A 4' X 4' CATCH BASIN, 1' BEHIND CURB FACE.

Sheet Number: NONE  
Drawing Number: P-4.0  
Sheet 130 of 178

NO.	REVISION	DESCRIPTION	DATE	APPROVED BY	REVISION BY
1	1	LEED CHANGE PER CITY	7-2-09		
2					
3					
4					
5					
6					
7					
8					

**M. A. FRANCIS & ASSOCIATES, INC.**  
Mechanical & Electrical Engineers  
2111 BUSINESS CENTER DRIVE, SUITE 200  
FREMONT, CA 94531 (949) 253-6640, FAX (949) 253-6648  
E-mail: MAF@mafrancis.com

12-24-08 DATE  
Drawn By: \_\_\_\_\_  
P. No. \_\_\_\_\_

REGISTERED PROFESSIONAL ENGINEER  
M. A. FRANCIS  
No. 630213  
Exp. 04/30/09  
MECHANICAL  
STATE OF CALIFORNIA