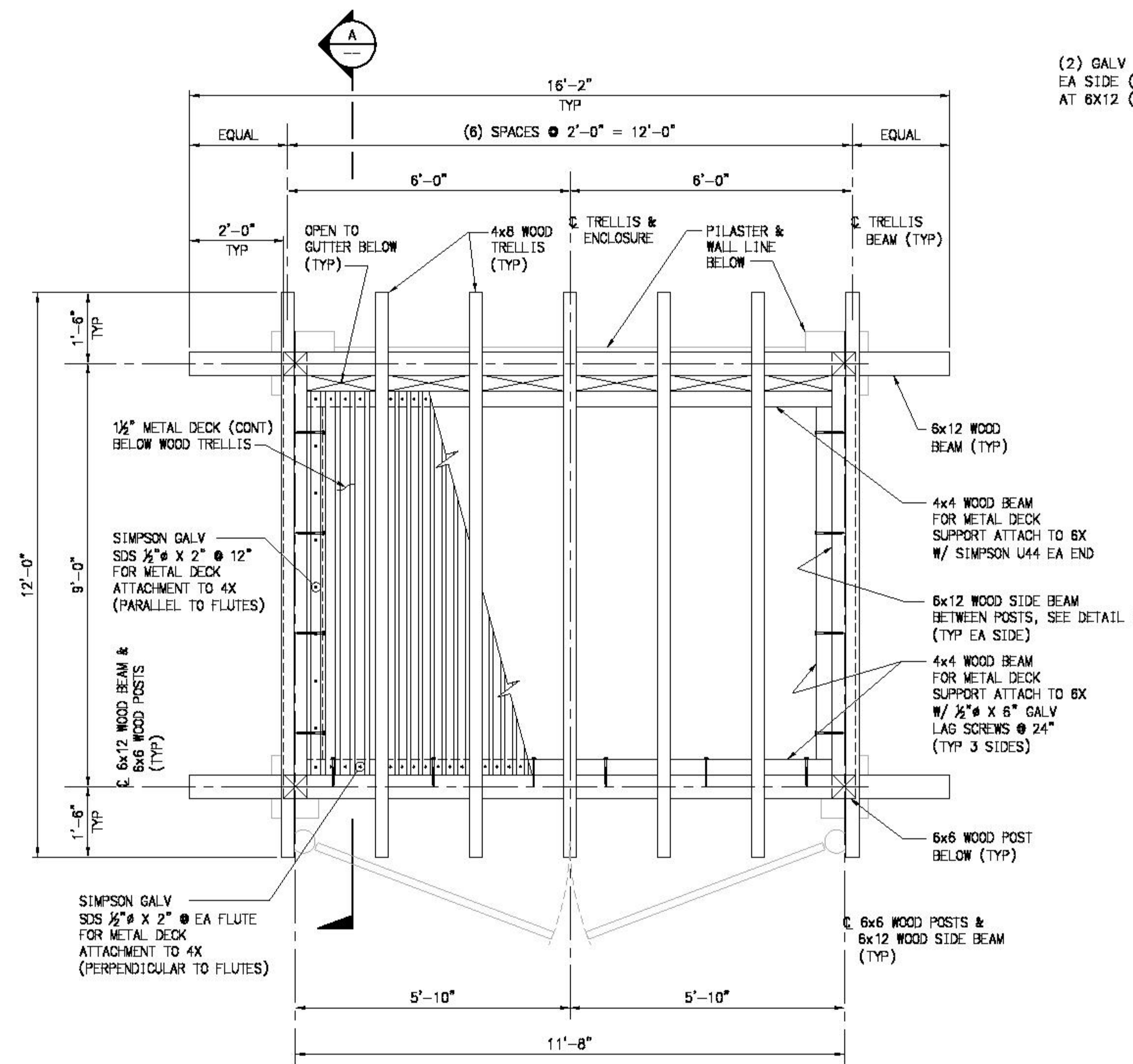
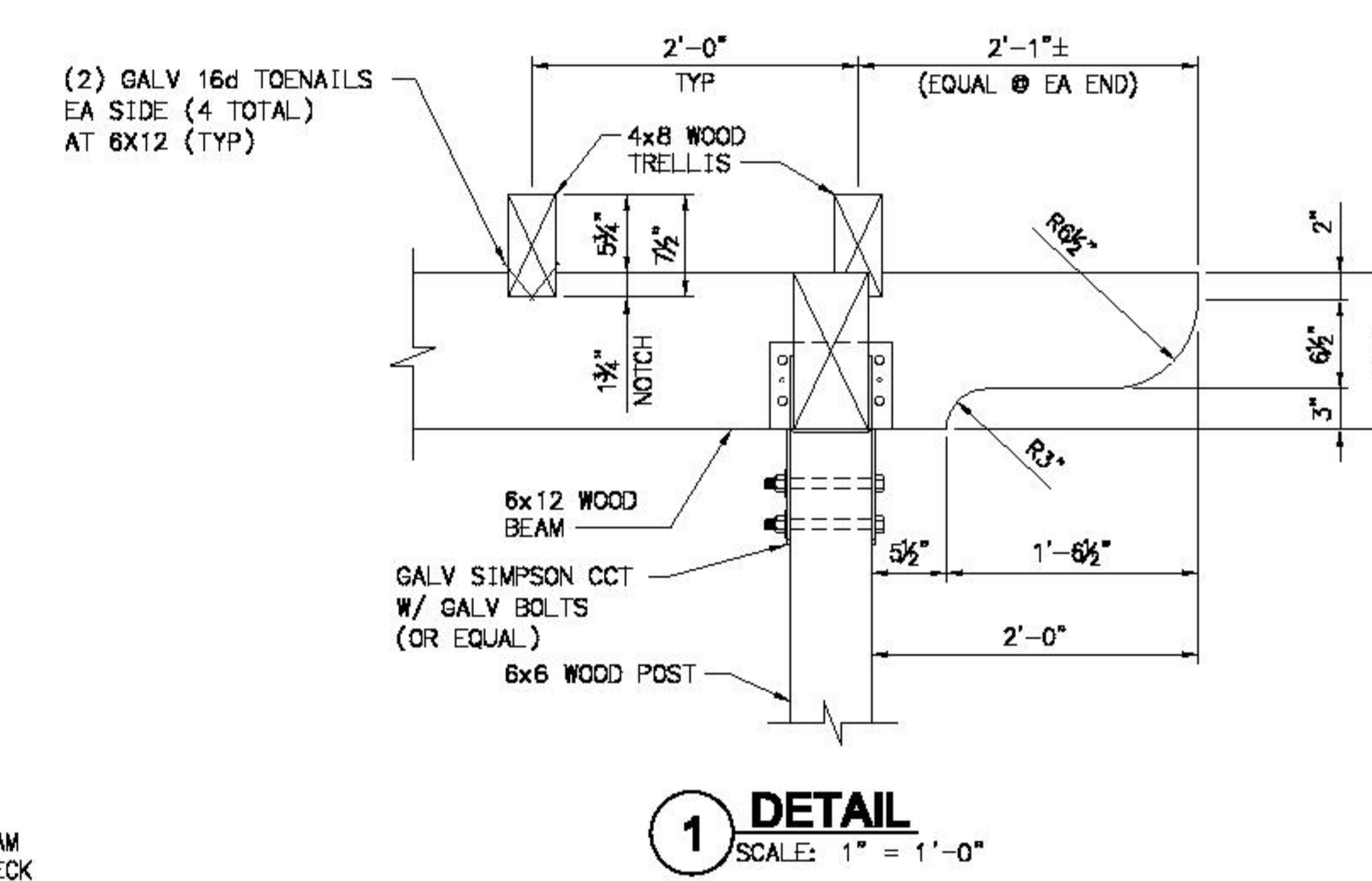


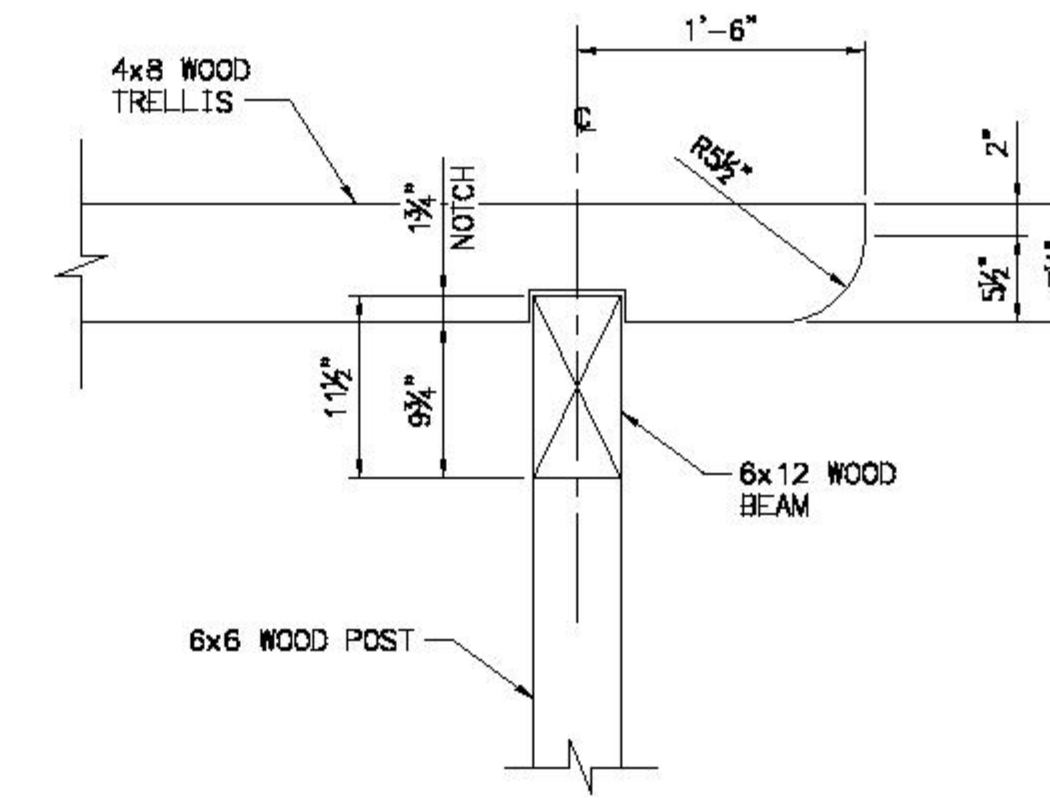
**PLAN**  
SCALE: 1/2" = 1'-0"



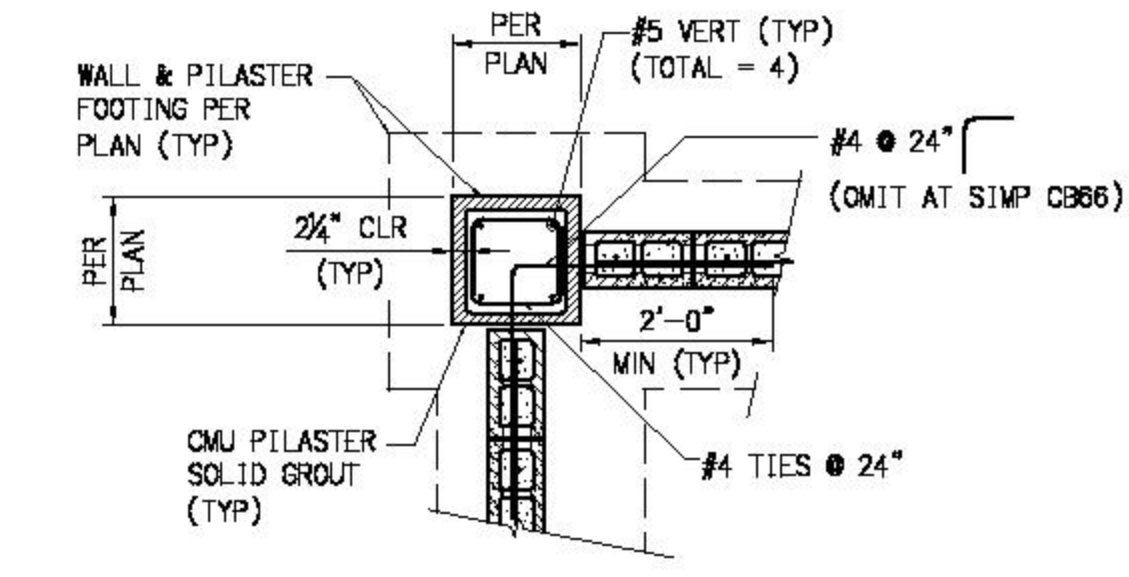
**TRELLIS PLAN**  
SCALE: 1/2" = 1'-0"



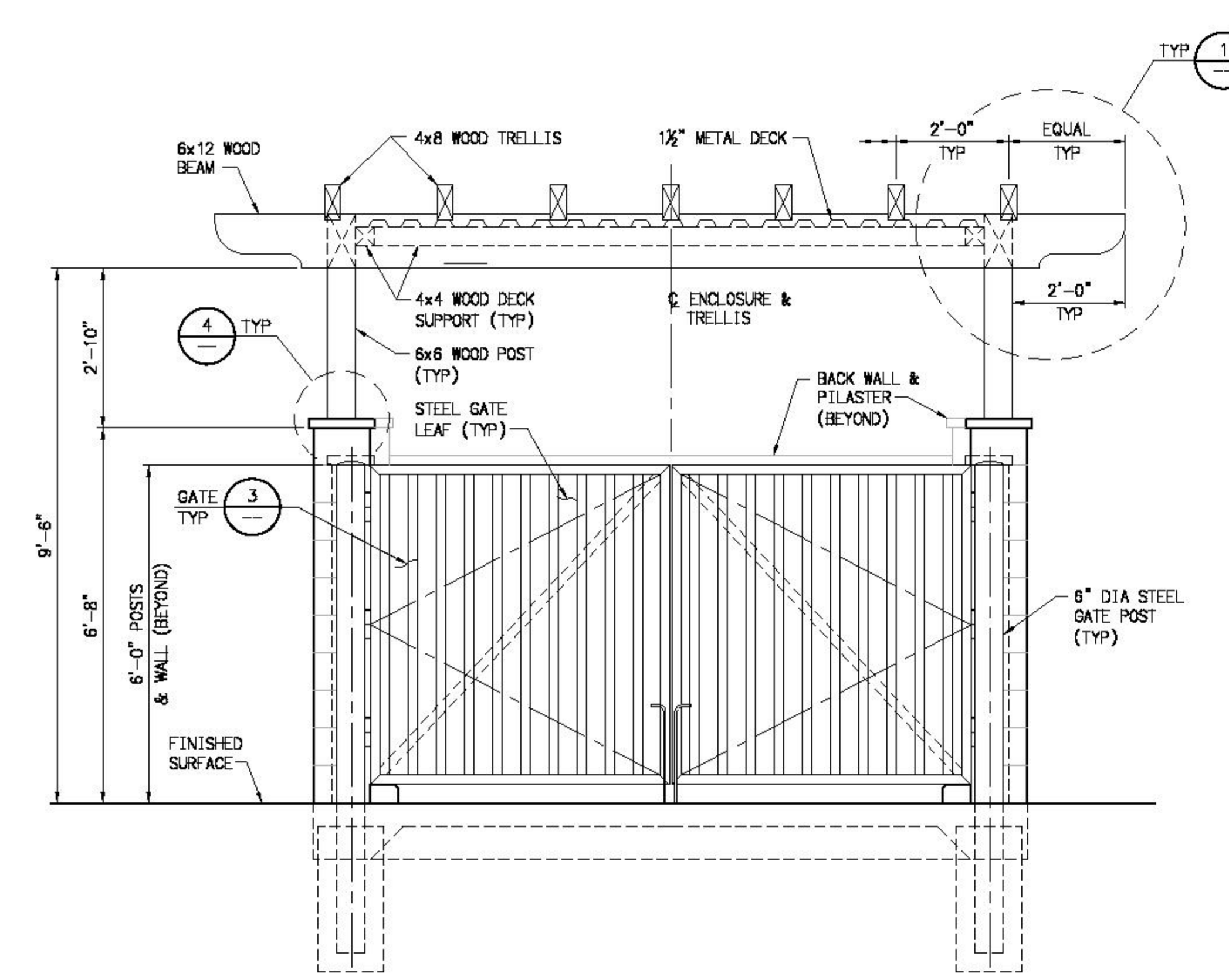
**1 DETAIL**  
SCALE: 1" = 1'-0"



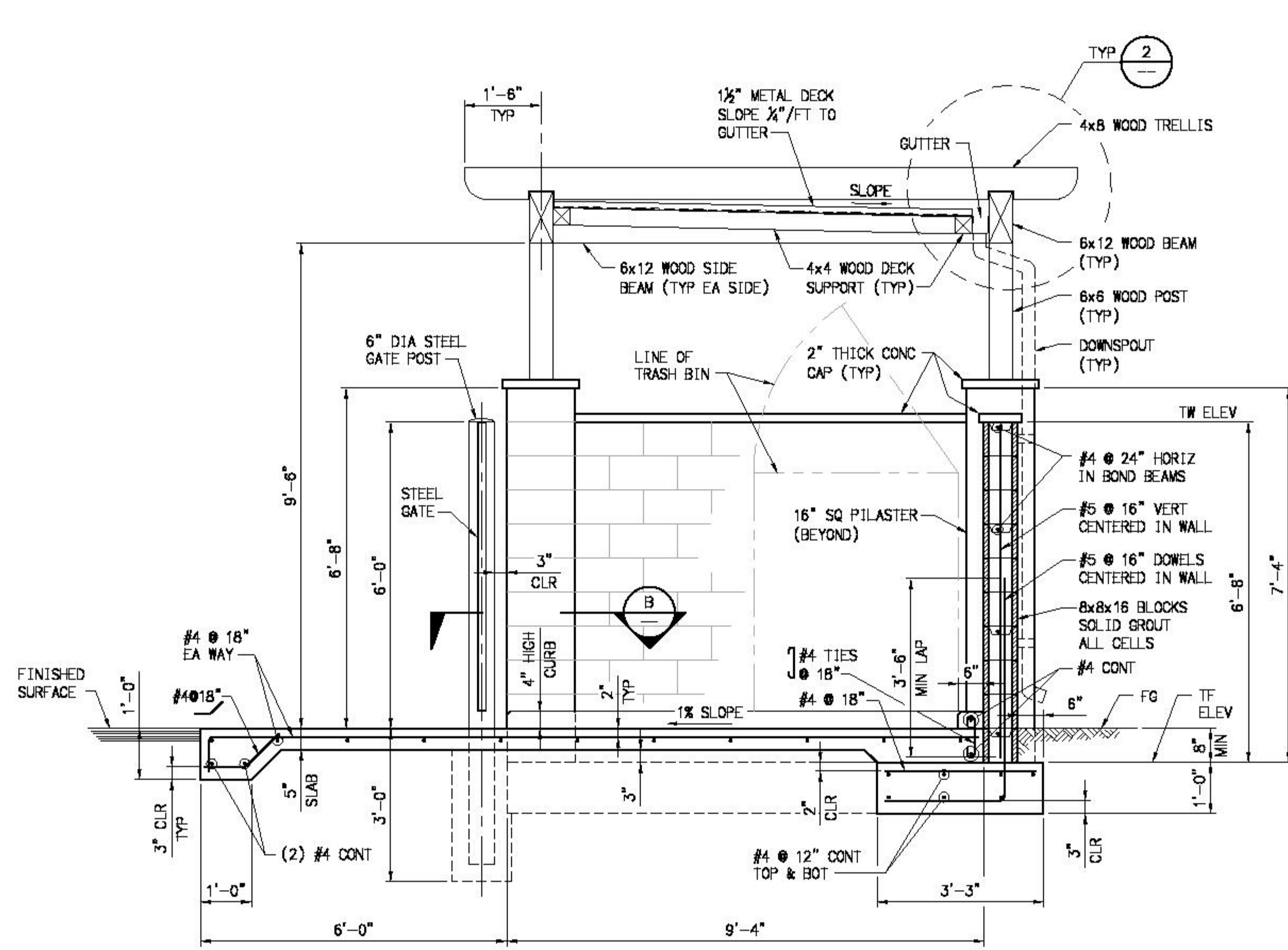
**2 DETAIL**  
SCALE: 1" = 1'-0"



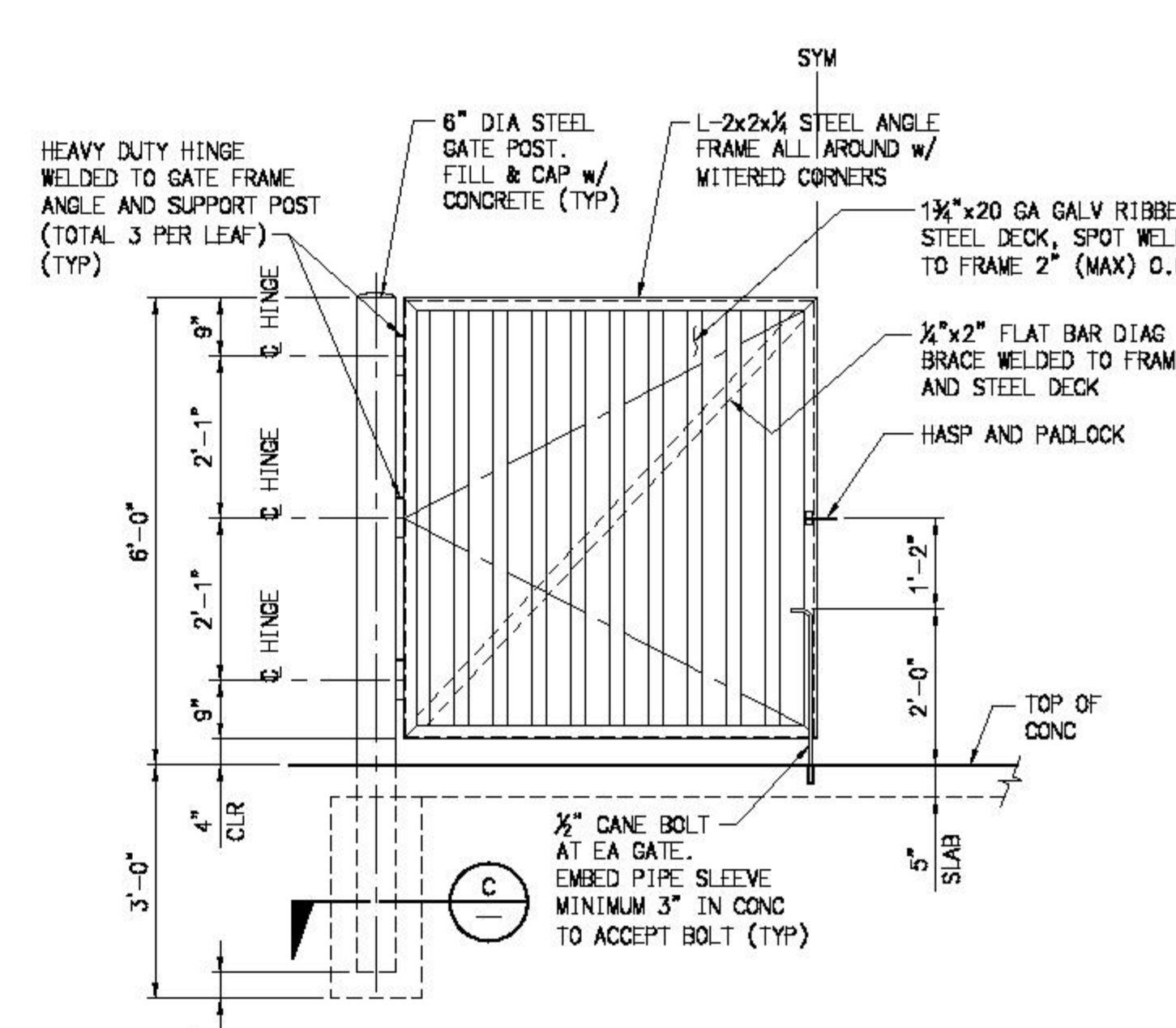
**SECTION B-B**  
SCALE: 1/2" = 1'-0"



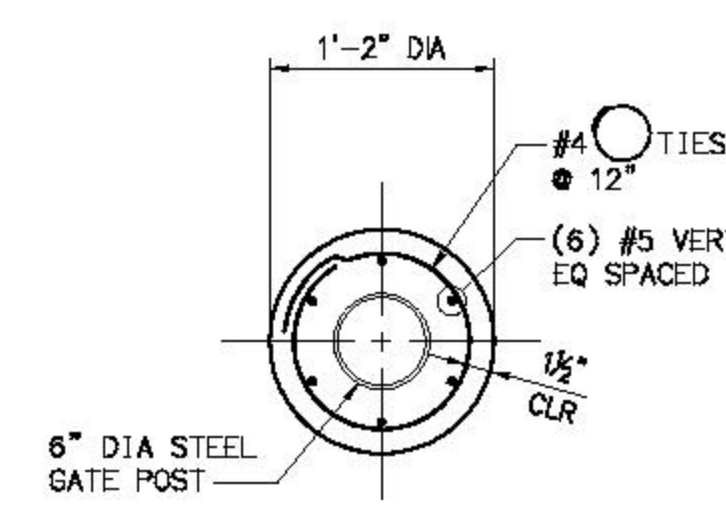
**FRONT ELEVATION**  
SCALE: 1/2" = 1'-0"



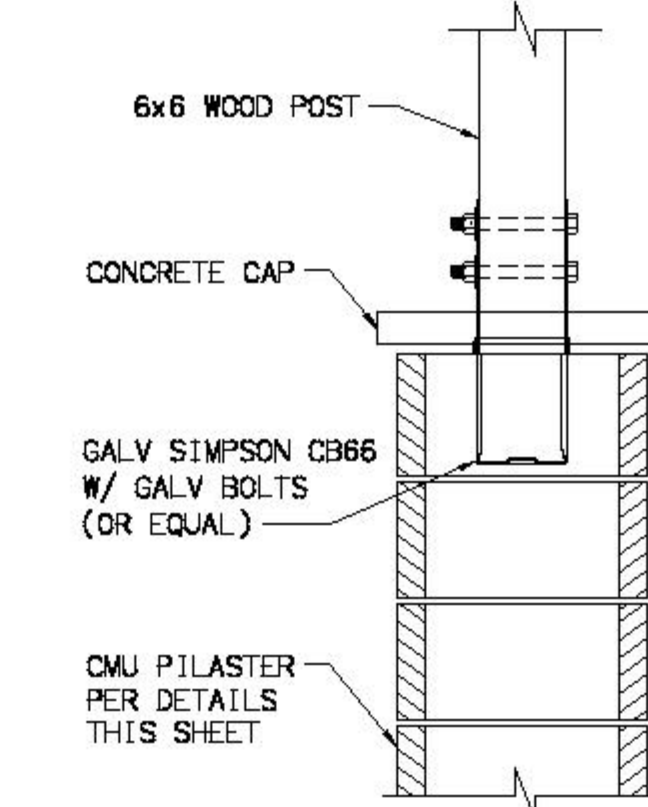
**SECTION A-A**  
SCALE: 1/2" = 1'-0"



**3 TYP GATE ELEVATION**  
SCALE: 1/2" = 1'-0"  
(TWO REQ'D PER ENCLOSURE)



**SECTION C-C**  
SCALE: 1" = 1'-0"



**4 DETAIL**  
SCALE: 1" = 1'-0"

**NOTES:**

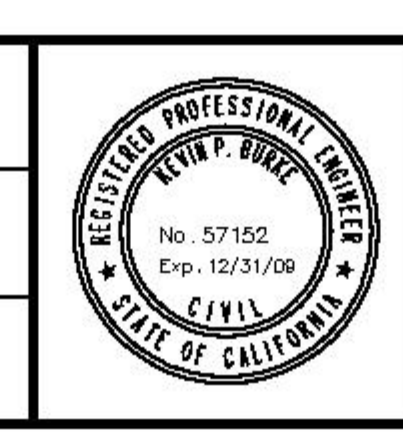
- REFER TO GENERAL NOTES ON SHEET S-1 FOR ALL MATERIAL SPECIFICATIONS.
- REFER TO FOUNDATION NOTES ON SHEET S-1 FOR GEOTECHNICAL INSPECTION REQUIREMENTS.
- STRUCTURAL CONCRETE STRENGTH,  $f'_c=4500$  PSI (SEE SHEET S-1) SHALL BE USED FOR ALL TRASH ENCLOSURE CONCRETE.

PLAN CHECKED BY:  
\_\_\_\_\_

APPROVED BY:  
AL KING, DIRECTOR OF BEACHES, PARKS, & RECREATION  
WILLIAM E. CAMERON, CITY ENGINEER

REVISIONS			
NO.	DESCRIPTION	REVISED	DATE

JOB NO.: 55-100467  
SCALE: AS SHOWN  
DESIGNED BY: RBF



PLANS PREPARED BY: RBF CONSULTING  
700 AVENUE ENCLAVE, SUITE 200  
CARLSBAD, CALIFORNIA 92008-4996  
760.476.9800 • FAX 760.476.9806 • WWW.RBF.COM

**CITY OF SAN CLEMENTE**  
DEPARTMENT OF BEACHES, PARKS, & RECREATION  
**LA PATA PARK**  
TRASH ENCLOSURE  
PLANS, SECTIONS & DETAILS

DRAWING NO.: S-4  
SHEET NO.: 33  
OF 178

R:\PDATA\55100467\CADD\STRUC\DLV\0467-SR-004.DWG MUAMES 12/18/09 2:11 PM